

INSTALLATION DETAILS

- Recommended crew (Adult): **2**
- Installation time: **4 (8-man hrs)**
- User age: **5-12**
- Use zone: **72 in from all sides of unit**
- Weight:

SURFACING: Use of safety surfacing in compliance with ASTM specification F1292 is required.

MAINTENANCE:

- As the owner of the playground you are responsible for maintenance of the equipment and play area. A maintenance schedule must be developed, and the equipment inspected frequently. A maintenance section that includes component specific maintenance requirements is included at the end of this manual.
- Be sure to inspect surfacing for foreign objects that could cause injury and that enough surfacing is in place in accordance with ASTM and CPSC standards.



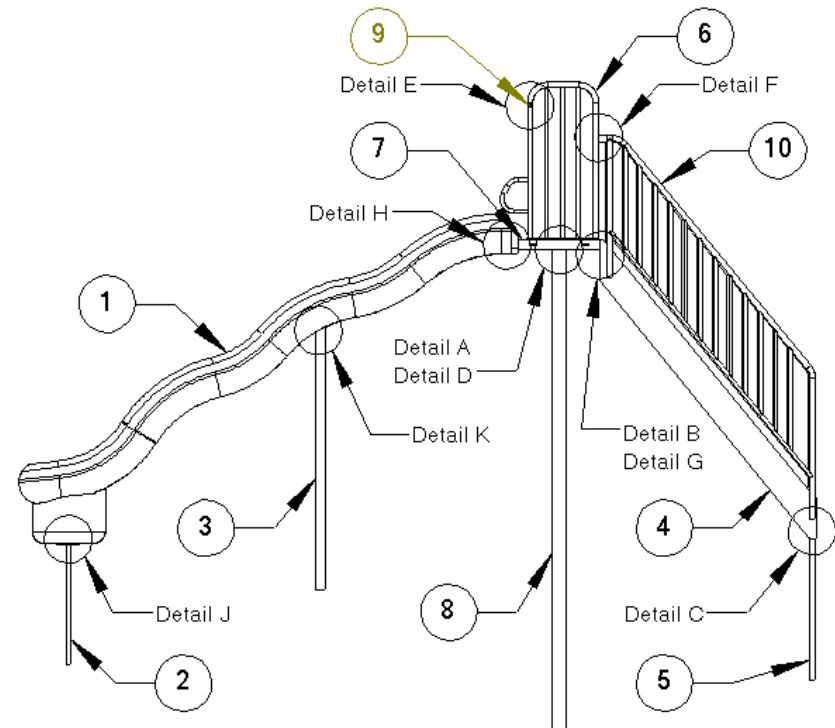


902-292 INDEPENDENT BUMP SLIDE WAVE INSTALLATION INSTRUCTIONS

PARTS LIST

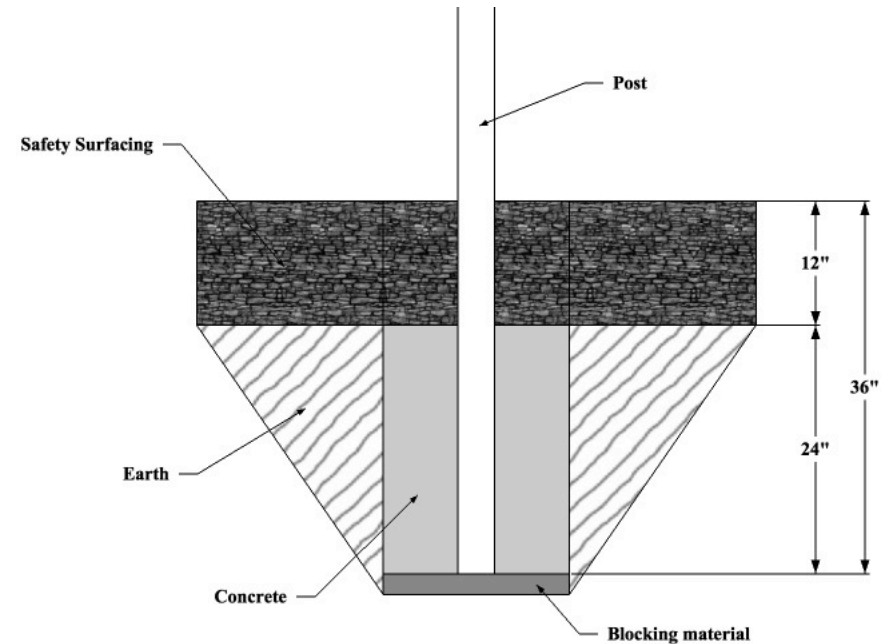
ID	PART #	DESCRIPTION	QTY
1	435-608Y	Wave Slide to 6' deck	1
2	903-214	"T" Leg for Wave Slide	2
3	903-286	Center Support for 6' Wave Slide	1
4	905-712	Steps to 6' Deck	1
5	913-230	Transfer Point Inside Leg	2
6	913-710	Indep. Bump Wave Guard Wall	2
7	913-711	Indep. Bump Wave Slide Deck	1
8	913-712	Indep. Slide Post	1
9	913-713	Indep. Bump Wave Slide Guard	1
10	913-714	Indep. Slide Handrail	2
11	126-701BPS	3/8"x 1 1/4" Button Pin SS	8
12	126-703	3/8"x 1" Button Pin SS	13
13	126-705	3/8" x 2" Button Pin SS	3
14	126-708	3/8"x 2 1/4" Button Pin SS	12
15	226-602	3/8" Nylon Insert Lock Nut SS	21
16			
17	316-601	3/8" Flat Washer SS	57
18	416-402BPK	7/32" Button Pin Key Short Arm	2
19			

NOTE: Keep a copy of these instructions on file to assist you with maintenance and replacement parts.

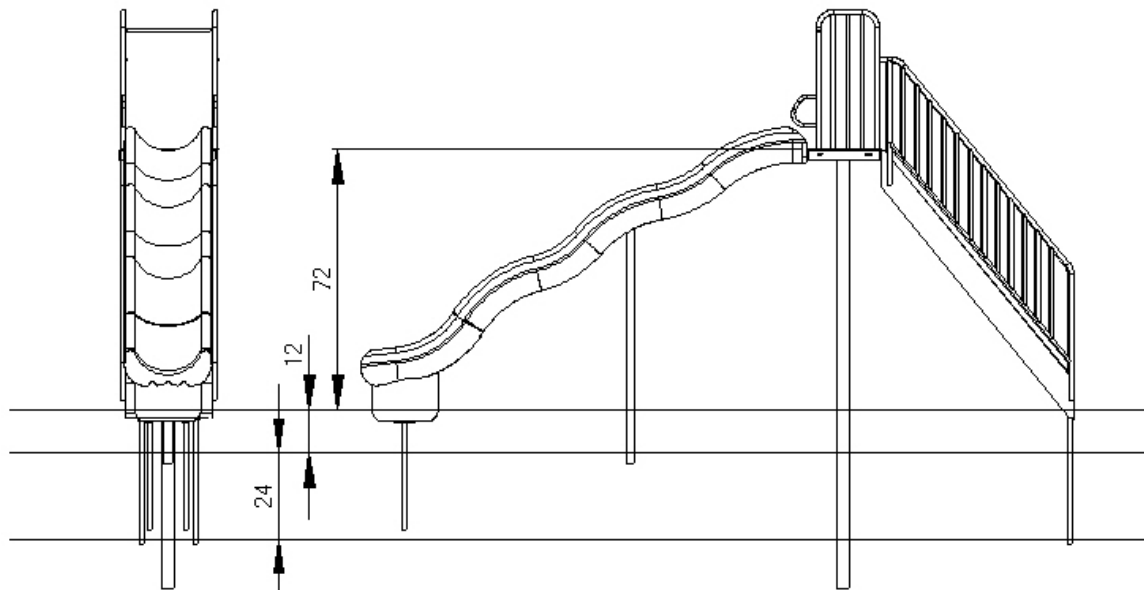
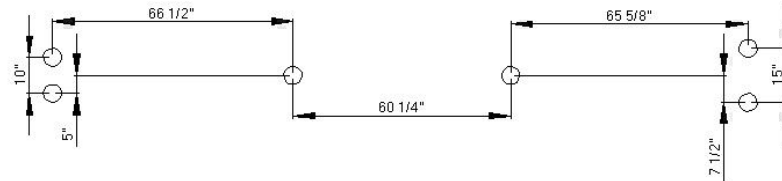


FOOTING INFORMATION

- Total footing depth is 48" less the height of the surfacing plus the height of the blocking material. If you are using 12" of surfacing the footing hole would need to be 36" plus the height of the blocking material (refer to both the side and front cutaway views to the right).
- If the Play structure is installed on an unlevel grade you must adjust the footing depth to accommodate the grade. For instance, if the grade for this component is 1" higher than the surface grade of the main playground post you must dig your footing hole 1" deeper.
- You must place the bottom of the support post or slide leg on a suitable flat blocking material to prevent it from sinking further into the soil. We recommend you use a brick, block of wood or several inches of gravel. The footing depth does not include this blocking material since materials used often vary.
- It is the owner/installers responsibility to check local building codes and to comply with those codes. All footing depths listed here are recommendations and local soil types and frost lines may require a deeper and/or wider footing depth. If that is the case you must add more blocking material to accommodate the deeper footing, as the post length will still only be installed at the depth listed in this instruction manual.
- Assemble the entire unit before adding the concrete unless instructed to do so in the individual component instruction sections.



**ELEVATION
AND
FOOTING
LAYOUT**





SPECIFICATIONS

- **Paint** – Electrostatically applied & oven cured powder coat
- **Hardware** – Stainless steel & tamper resistant
- **Tube** – FloCoat® Galvanized 1 3/8” O.D. and 1” O.D.
- **Bump Wave Slide**-Roto-Molded Plastic.
- **Bottom support for Wave Slide** – 1 3/8” Tube
- **Center support for Wave Slide** – 2 3/8” Tube

SPECIAL SAFETY & ASTM COMPLIANCE NOTES

- **CRITICAL MEASUREMENT** IT IS EXTREMELY IMPORTANT THAT YOU MAINTAIN A MAXIMUM OF 3 1/2” DISTANCE BETWEEN THE BOTTOM, OR SIDES OF THE BUMP WAVE SLIDE ENTRANCE WALL AND THE NEAREST EDGE OF THE DECK OR POSTS.

INSTALLATION TIPS & TROUBLE SHOOTING

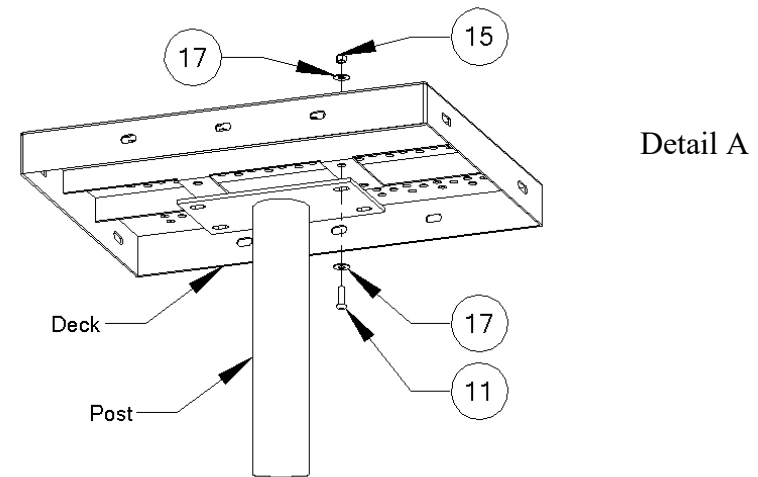
- SportsPlay Equipment Inc. recommends pre-drilling the holes in the post when attaching a four-hole bracket with a number #7 drill bit. This will make the attachment of the four-hole bracket with the self-tapping screws easier and it will prevent damage to the screw head during installation.
- Apply locktite to all bolts during assembly prior to completely tightening them.
- Stainless Steel hardware can occasionally be difficult to use particularly if you need to take them out to make an adjustment. It is recommended that you add a drop of oil to bolts that may have to be removed before you install them.
- Do not tighten bolts all the way until the unit is completely assembled and all components are square and level.
- Identify and separate all parts by referencing the detail drawings and the parts list.
- As you unpack and separate the components use the cardboard sheets that were used for packing and shipping to prevent damage to the components. This is particularly true all Powder Coated and Thermoplastic coated components, by setting the components on top of the cardboard.

BEFORE YOU BEGIN

In addition to the components on the packing list you will need a drill with a 1/2" drill bit, tape measure, post hole digger, blocking material, level, and a dry erase marker.

INSTALLATION STEPS

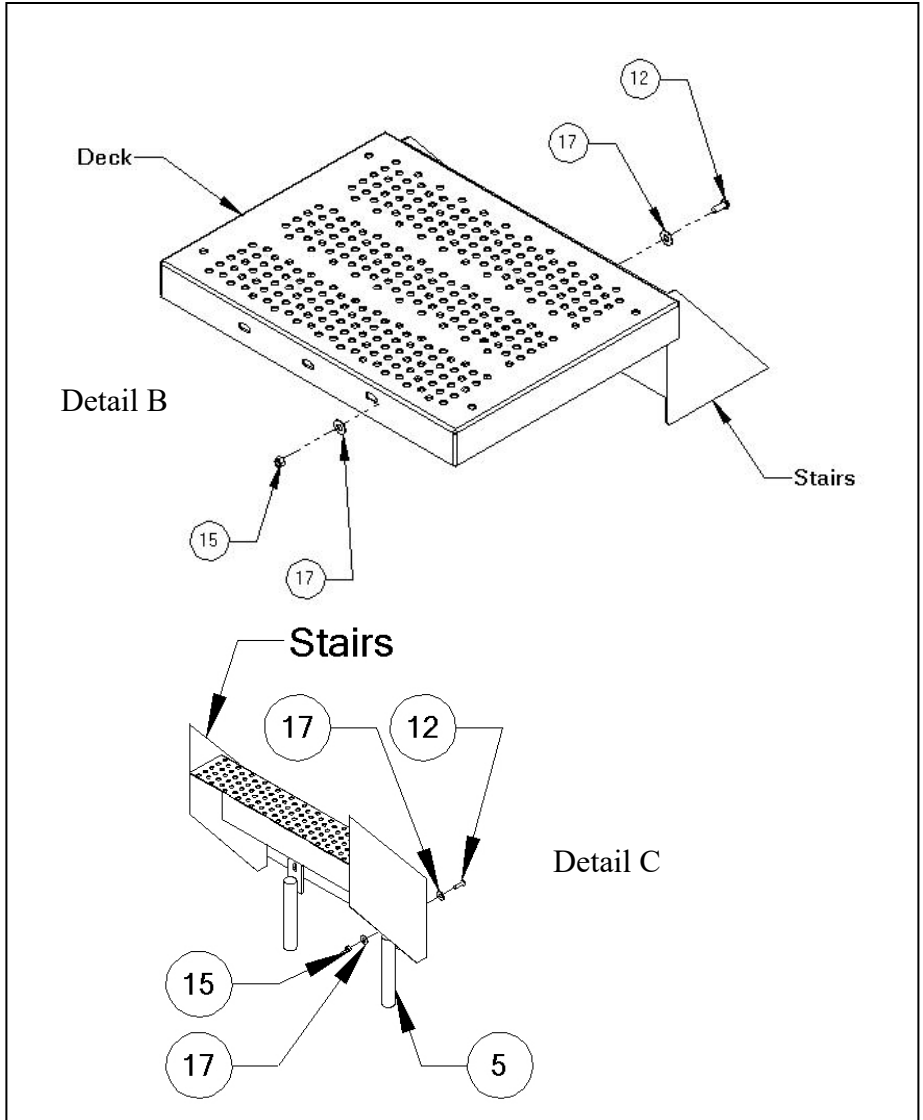
- __1) Review all instructions before beginning:**
- __2) Unpack, organize, and identify all components:** Be sure to place all painted components on a protective surface (cardboard, cloth, etc...) to prevent damage.
- __3) Locate placement of the Independent Bump Wave Slide:** See top down view of your instruction booklet.
- __4) Layout the Footing holes for the Independent Bump Wave Slide:** Locate your footing drawing and mark your holes as shown. Dig your footing holes to the proper depth.
- __5) Attach the Slide Deck to the Post:** Attach the slide deck (7) to the post (8). See Detail A. Align the deck to the posts. Attach with four 1-1/4" bolts (11), eight 3/8" flat washers (17), and four 3/8" lock nuts (15). **Tighten.** Slide post into the designated hole. **Brace in position.**



INSTALLATION STEPS CONTINUED

__6) Attach the Steps to the Deck: Attach the Steps (4) to the Deck (7) using three 1" bolts (12), six 3/8" flat washers (17), and three 3/8" lock nuts (15). **Hand tighten only.** See Detail B.

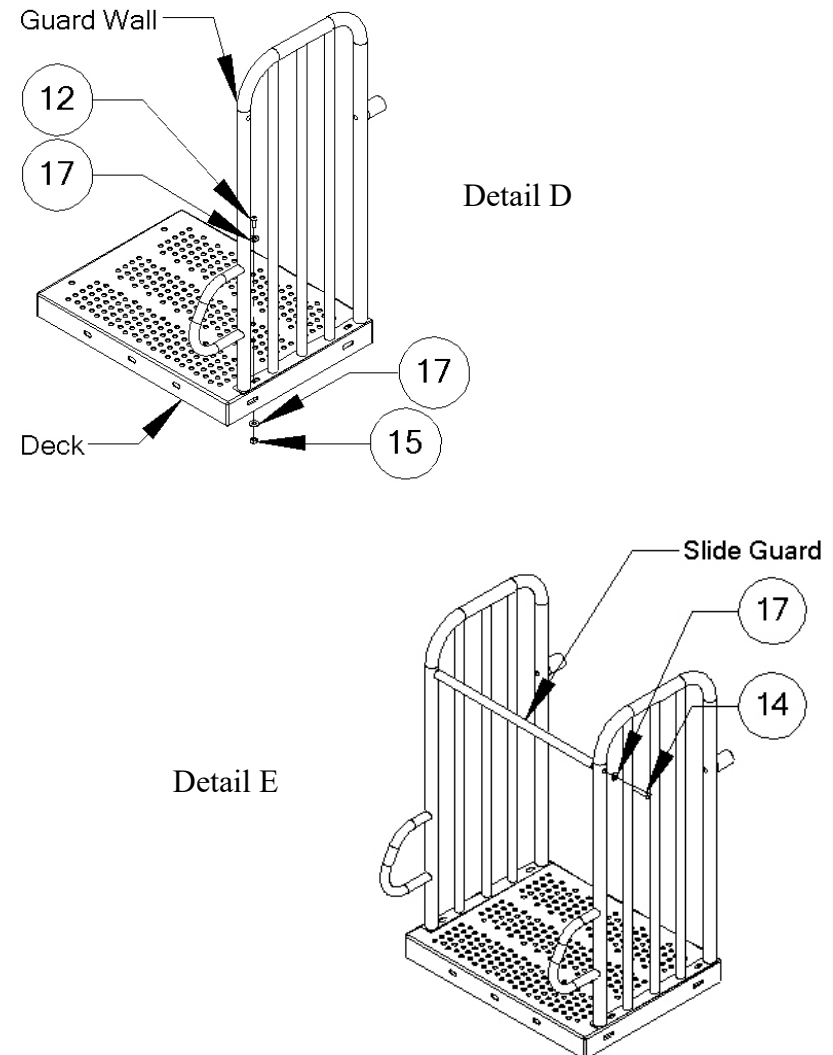
__7) Attach Transfer Point Inside Legs to the Steps: With the steps in place, place the transfer point inside legs (5) into their designated holes. Attach the legs to the steps with two 1" bolts (12), four 3/8" flat washers (17), and two 3/8" lock nuts (15). **Tighten.** See Detail C.



INSTALLATION STEPS CONTINUED

8) Attaching the Guard Wall to the Slide Deck: Attach the Guard Wall (6) to the Slide Deck (7) with four 1" bolts (12), eight 3/8" flat washers (17), and four 3/8" lock nuts (15). **Hand tighten only.** See Detail D.

9) Attaching the Slide Guard to the Guard Walls: Place the slide guard (9) between the guard walls (6). The slide guard has internal threads welded on the ends. Attach with two 2 1/4" bolts (14) and two 3/8" flat washers (17). **Hand tighten only.** See Detail E.



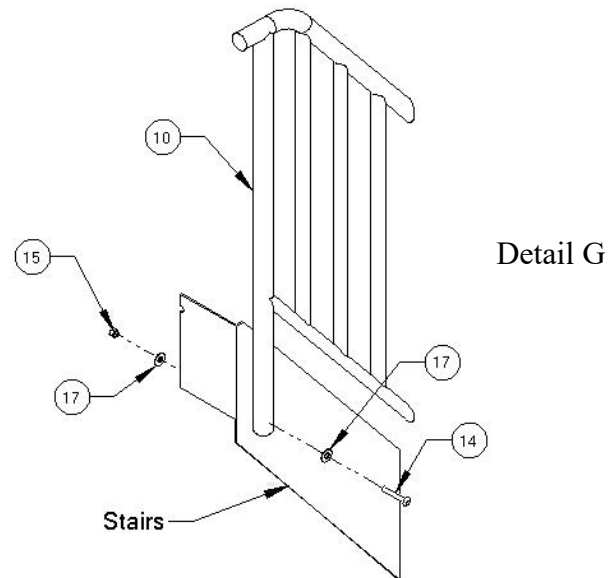
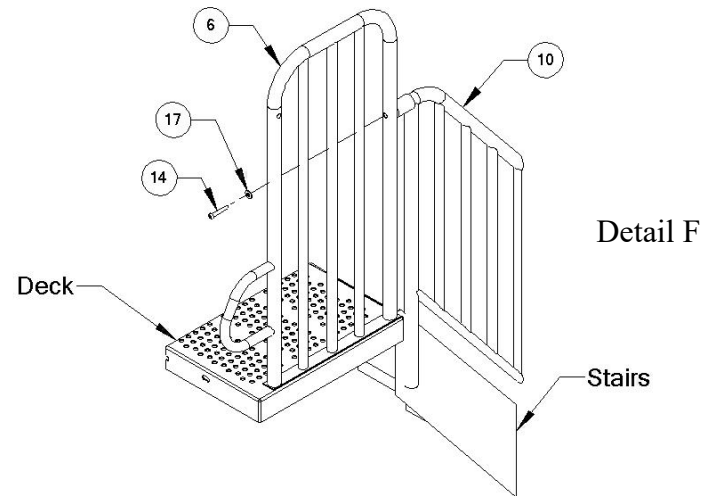
INSTALLATION STEPS CONTINUED

10) Attaching the Handrails to the Structure:

With help, insert the end of the handrail (10) with the threads welded into it into the stub of the guard wall (6). Attach the handrails to the guard wall using a 2-1/4" bolt (14) and a flat washer (17). **Hand tighten only.** See Detail F.

Attach the handrails (10) to the steps (4) using four 2-1/4" bolts (14), eight 3/8" flat washers (17), and four 3/8" lock nuts (15). **Hand tighten only.** See Detail G.

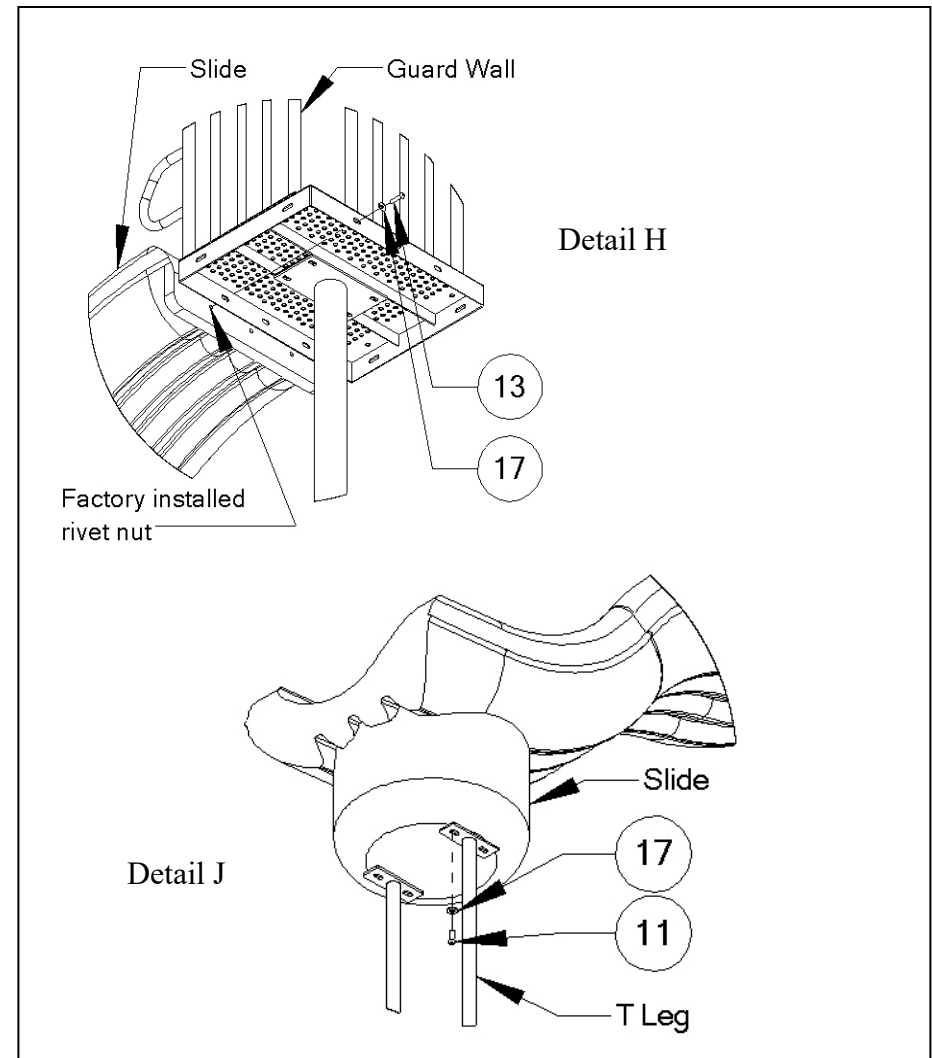
Repeat on the other side.



INSTALLATION STEPS CONTINUED

__ 11) **Attach the Slide to the Deck:** Hoist the slide (1) to the deck (7) and attach using three 2" bolts (13) and three 3/8" flat washers (17). **Hand tighten only.** See Detail H.

__ 12) **Attach T Legs to the Slide:** Place the T legs (2) into the designated holes. Attach the legs to the exit of the slide (1) with four 1-1/4" bolts (11) and four 3/8" flat washers (17). **Tighten.** See Detail J.

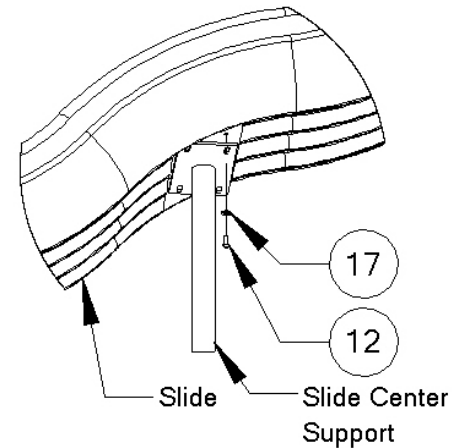


INSTALLATION STEPS CONTINUED

__13) **Attach the Center Support to the Slide:** Place the center support (3) into its designated hole. Attach the center support with four 1” bolts (12) and four 3/8” flat washers (17). **Tighten.** See Detail K.

__14) **Once full installation of all components is complete,** square, and level the entire structure. **Tighten all bolts.** Fill all footing holes with concrete. Check area for any remaining tools or hardware and secure the area with caution tape, etc. After the concrete has been allowed to cure for 24 hours, backfill with dirt.

__16) **Inspect the components:** If sharp edges are found, file and apply touch up paint.



Detail K



THIS PAGE INTENTIONALLY LEFT BLANK.

Brackets

- Inspect all four-hole clamps and panel clamps.
- Ensure the setscrews are tight and in place.
- Ensure all Torx Screws are in place and that the bracket is firmly attached to post.
- Inspect the clamps for cracks and sharp edges. Smooth any sharp edges and fix the finish. Replace brackets if cracked.

Hardware

- Inspect for loose or missing hardware. Tighten all loose hardware and replace all missing hardware. Block off access to equipment if necessary.

Plastic Components

- Inspect for any sharp edges or deformities. Minor deformities and sharp edges can be repaired using a utility knife. Block off access until repairs are made. Contact distributor for replacement parts.

Welds

- Inspect all welds for cracks. If a crack is found block access to the playground and contact your distributor for replacement parts immediately.

Finish

- Inspect all metal components for coating damage. If powder coating needs to be repaired sand surface and mask off area. Coat with primer and once the primer has dried paint with color matching touch up paint. Contact distributor of color matching paint. Contact Distributor for Thermoplastic repair kit.

Surfacing - Refer to the surfacing maintenance sheet.

Slide

- Refer to “Plastic Components” section.
- Inspect run-out section of the slide for standing water. Adjust the slide by digging up existing footing and install it slightly lower to increase the slope of the slide.

Footings

- Inspect all footings to ensure equipment is secure. You must block access to prevent access until repair is made.

Replacement Parts

- Reference the parts list on page 2 of the instruction set for this component to identify the part/s correctly.
- Contact your distributor to order parts.



